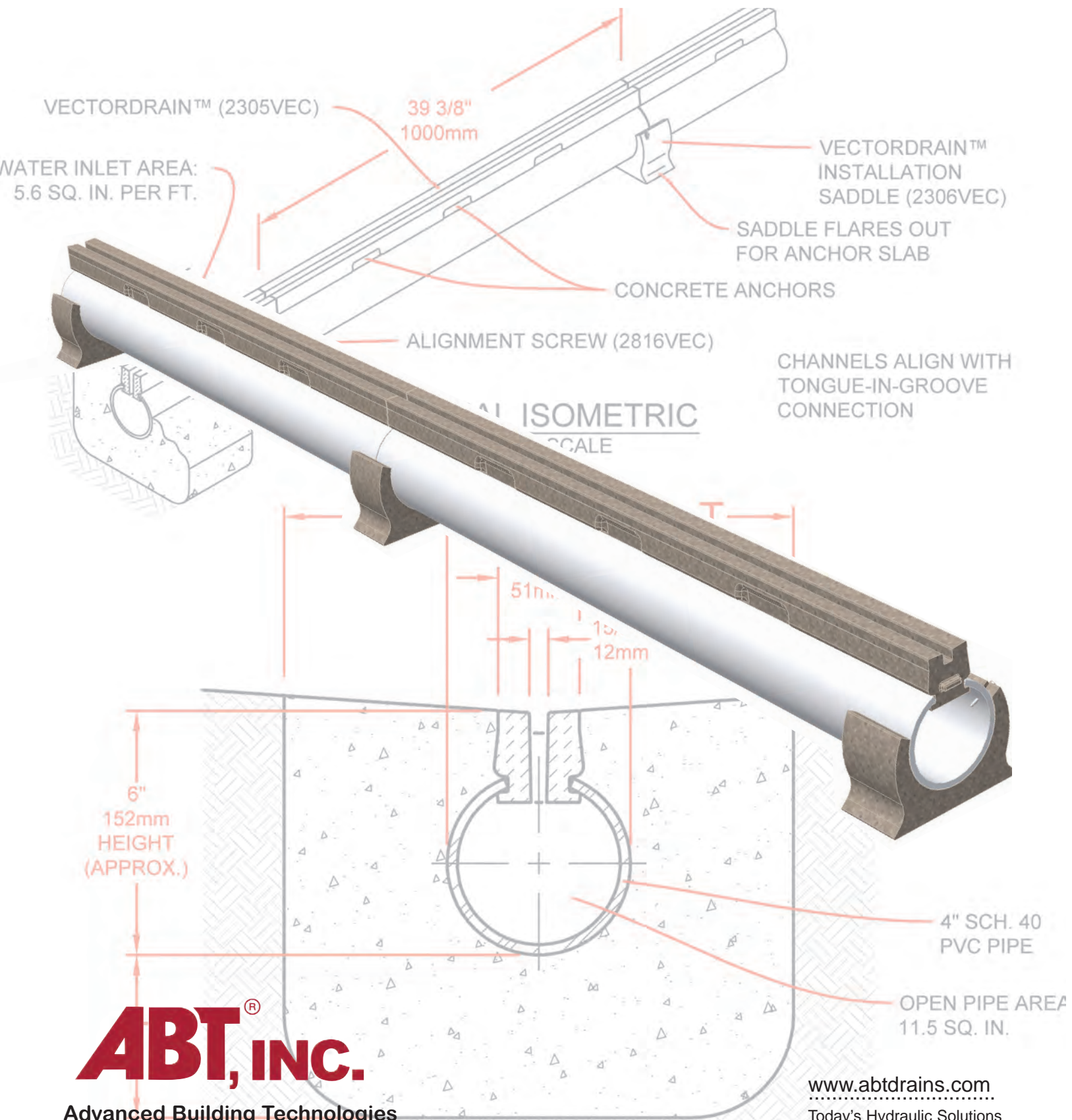
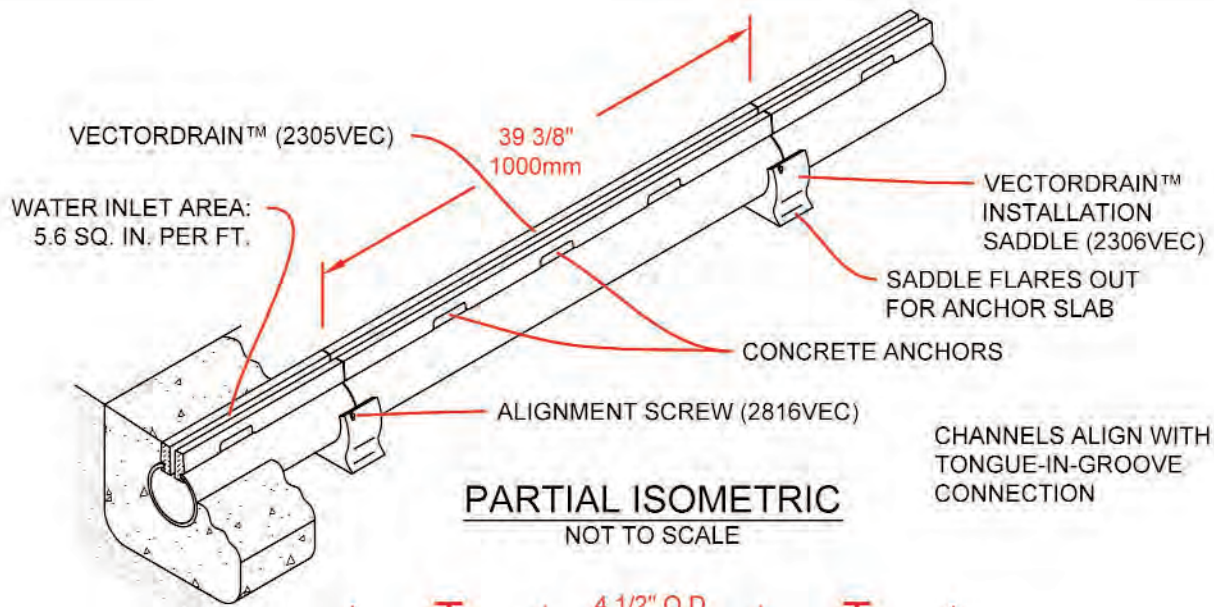


VectorDrain™

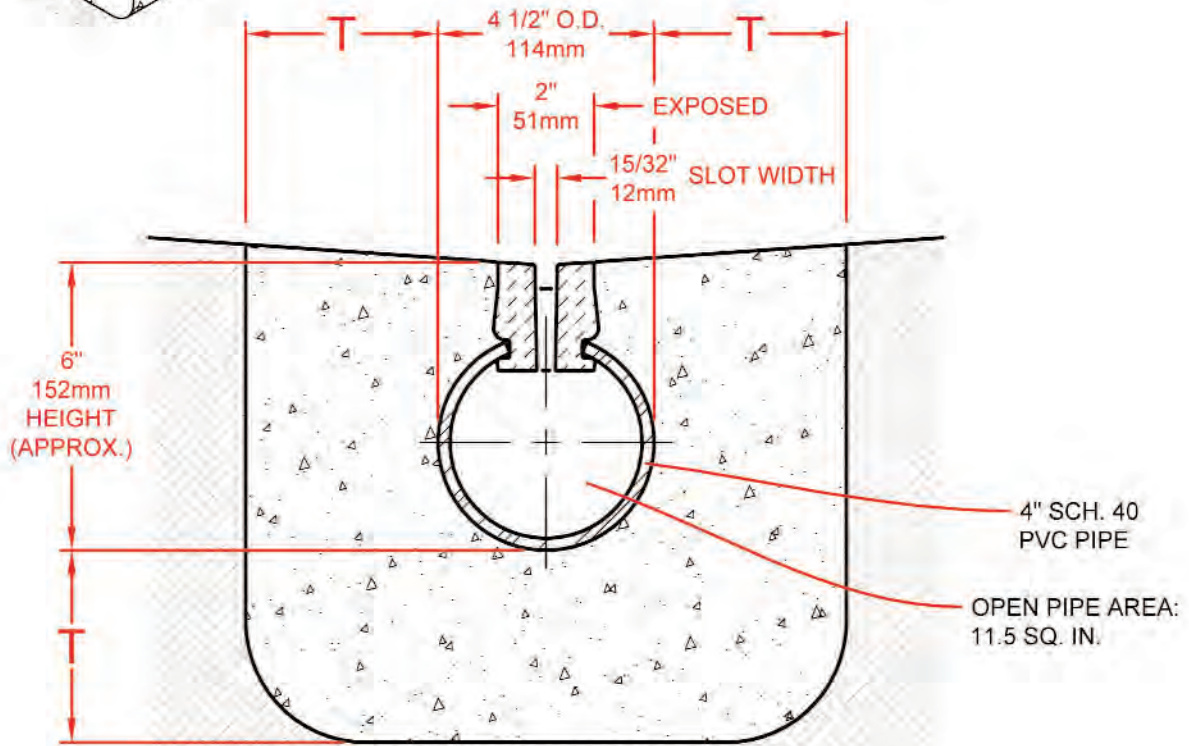
Light Duty Trench System





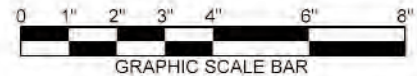
PARTIAL ISOMETRIC
NOT TO SCALE

CHANNELS ALIGN WITH
TONGUE-IN-GROOVE
CONNECTION



CROSS SECTIONAL VIEW

T = STRUCTURAL ENGINEER'S SPECIFICATION,
OR FLOOR SLAB THICKNESS,
OR 4" MIN. [100mm]
(WHICHEVER IS GREATER)



PATENT PENDING

ABT, INC.
P.O. BOX 837, 259 MURDOCK ROAD
TROUTMAN, NC 28166
(704) 528-9806

JEN-HILL
CONSTRUCTION MATERIALS

SPECIFICATION DRAWING © 2002 ABT, Inc.

VECTORDRAIN™

Ph 800-452-4435
Fax 615-822-9460
info@jenhill.com
www.jenhill.com

FILE: **S-2305VEC-01**

PART: **2305VEC, 2306VEC**

Proprietary rights of ABT, Inc. are included in the information disclosed herein. The recipient, by accepting this document, agrees that neither this document nor the information disclosed herein nor any part thereof shall be copied, reproduced or transferred to others for manufacturing or for any other purpose except as specifically authorized in writing by ABT, Inc.

DISCLAIMER : The customer and the customer's architects, engineers, consultants and other professionals are completely responsible for the selection, installation, and maintenance of any product purchased from ABT, and EXCEPT AS EXPRESSLY PROVIDED IN ABT'S STANDARD WARRANTIES, ABT MAKES NO WARRANTY, EXPRESS OR IMPLIED, AS TO THE SUITABILITY, DESIGN, MERCHANTABILITY, OR FITNESS OF THE PRODUCT FOR CUSTOMER'S APPLICATION. Copies of ABT's standard warranties are available upon request.