

**POLYDRAIN**



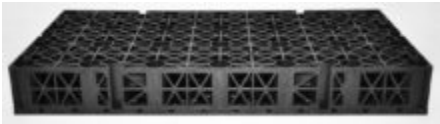
**POLYDRAIN PDX 6" – 24"**



**INTERCEPTOR**



**TRENCHFORMER TFX**



**PERMAVOID**



**TRENCHFORMER-MHD**



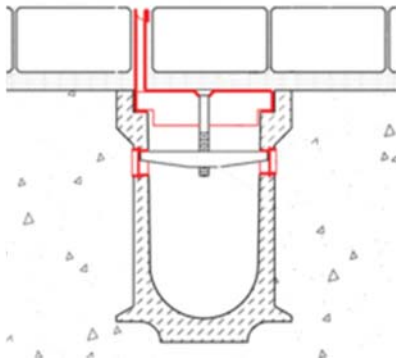
**POLYDRAIN SHALLOW**



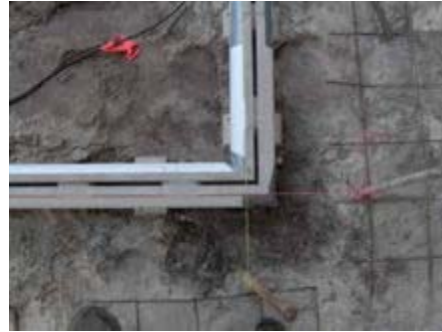
**INTERCEPTOR SUPER SLOPE**



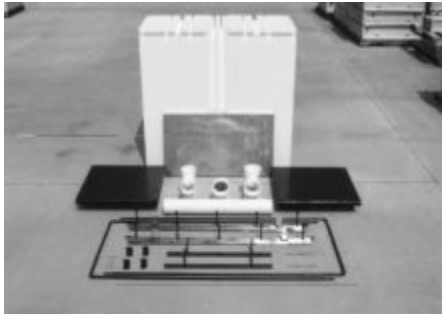
**TRENCHFORMER-XHD**



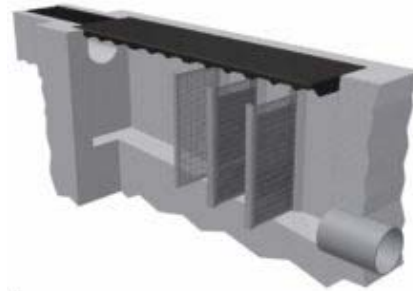
**PAVER GRATE**



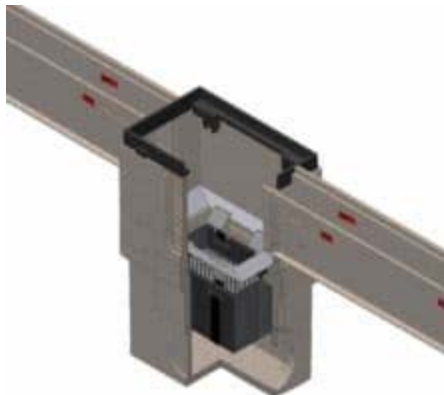
**VECTOR DRAIN**



**OIL-WATER SEPARATOR**



**TRENCH FORMER FIRST FLUSH**



**POLYDRAIN FIRST FLUSH**



**SANDTRAP**

**For additional information contact Jen-Hill Construction Materials 800-452-4435**